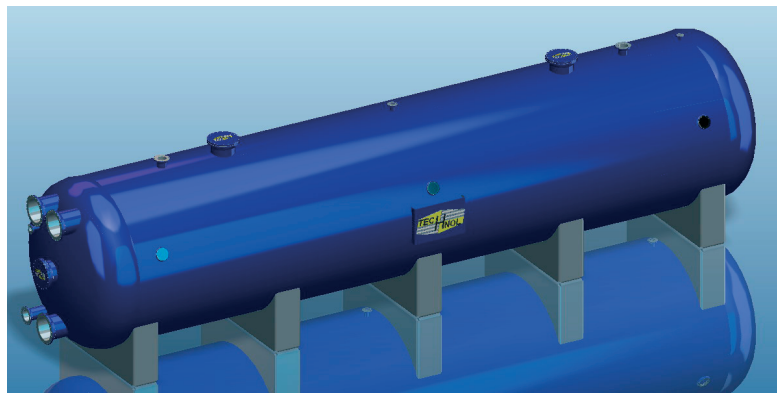


TECHNOL d.o.o.
ENGINEERING & GRP PRODUCTION L.t.d.

HORIZONTAL FILTERS FOR LARGE INSTALLATIONS

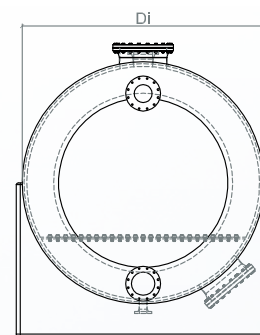
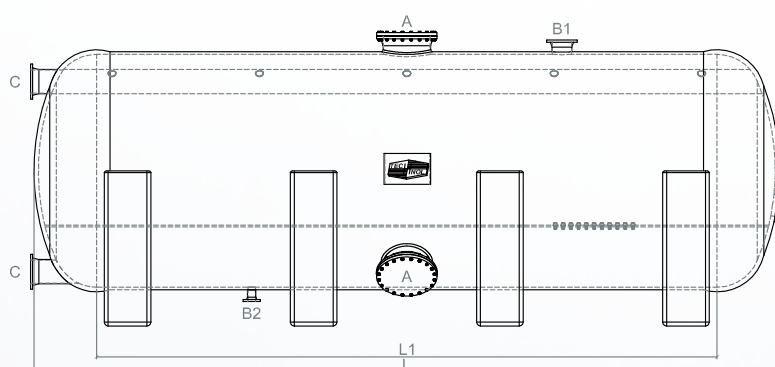
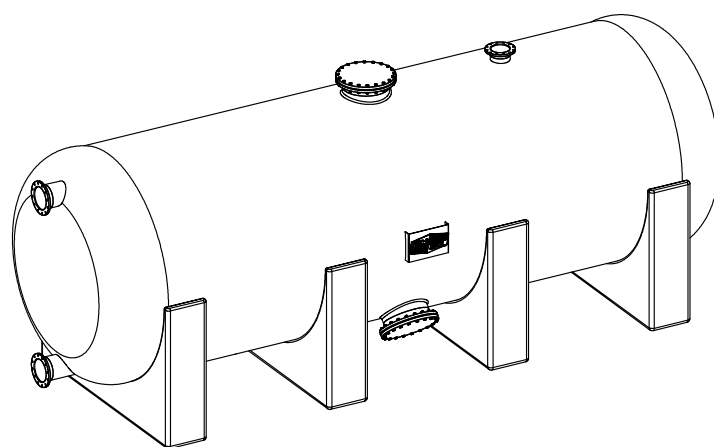


Multi-media horizontal filters

TECHNOL designs and manufactures horizontal pressure multi-media filters with nozzle plates. These filters are used for large filtering systems where big capacities are needed.

We have developed FRP horizontal filters for pre-treatment in desalination plants within the reverse osmosis system to protect membrane from defects. With the multi layer bed filters you enhance the performance of the RO.





Horizontal filters are ideal for all sizes of desalination plants.

- Full GRP pressure multi-media horizontal filters
- Ideal for desalination plants - 100% corrosion free
- Big filtration surface in one filter
- Air and water backwashing phase possible with nozzle plate construction
- From design to execution
- Up to 3.500mm diameter (bigger on request)
- Work pressure up to 10bar
- Lateral filtering system is also available
- Long service life with low maintenance costs

Beside desalination plants these filters can be used in all filtering installations where big capacities are needed:

- swimming pools
- industrial waters
- drinking water
- waste water

In the table below you will find a few options of these filters. All filters are made upon request and project specifications, so please contact us for a quote!

		Horizontal Filter with plate					
		Di mm	2.000	2.200	2.400	3.000	3.500
L m		6,00	6,10	6,20	6,50	6,75	
L1 m		5,00	5,00	5,00	5,00	5,00	
Filter Area	m ²	8,46	9,16	10,24	16,13	18,49	
Capacity m ³ /h	10 m/h	85	92	102	161	185	
	20 m/h	169	183	205	323	370	
	30 m/h	254	275	307	484	555	
A	DN	500	500	500	500	500	
B1	DN	100	125	125	150	150	
B2	DN	100	100	100	100	100	
C	DN	315	315	315	400	2x 315	
L m		11,00	11,10	11,20	11,50	11,75	
L1 m		10,00	10,00	10,00	10,00	10,00	
Filter Area	m ²	15,96	17,16	19,14	29,38	33,34	
Capacity m ³ /h	10 m/h	160	172	191	294	333	
	20 m/h	319	343	383	588	667	
	30 m/h	479	515	574	881	1.000	
A	DN	500	500	500	500	500	
B1	DN	125	150	150	200	200	
B2	DN	2x 100	2x 100	2x 100	2x 100	2x 100	
C	DN	2x 315	2x 315	2x 315	2x 400	2x 400	



TECHNOL Portorož d.o.o.
 PODJETJE ZA INŽENIRING IN PROIZVODNJO
 IZDELKOV IZ UMETNIH MAS

Industrijska c. 6e, 6310 IZOLA - SLOVENIJA
 Tel.: ++386/5/6625-340 Fax: ++386/5/6625-341
 E-mail: technol@siol.net www.technol.si